

LED TUBULAR PROJECTOR FOR SWIMMING POOL – WHITE LIGHTING



Model : 502778
Type : 18 LED 2835 / 120°
Colour : white 6500K
Control : On/Off
Functions : N/A
Material : Polycarbonate (PC)
1,5'' threat to screw in vacuum fitting
Wire connection : None
2 meters HO5RNF wire 2x1,0mm² welded on electronic board
HS code : 9405403990
Bar code : 3700450502778



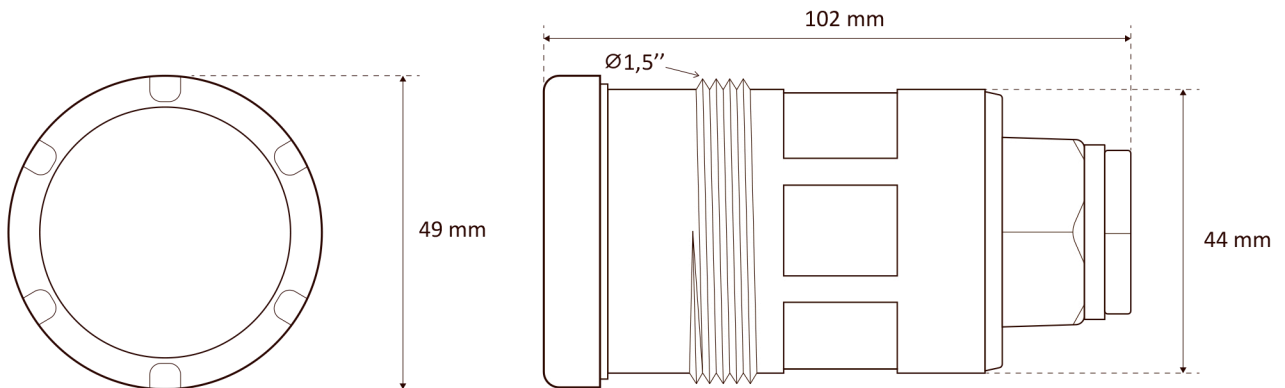
Contents of the packaging:

- LED Tubular projector
- 2 heat shrinkable connectors (#501696)
- 1 H05RNF cable 2x1,0mm² (#502990)
- 1 clamping or loosening tool (#502983)
- Usage and maintenance manual

Option :

- Inground pool installation kit (#501368)
- Above ground pool installation kit (#501009)

DIMENSIONS

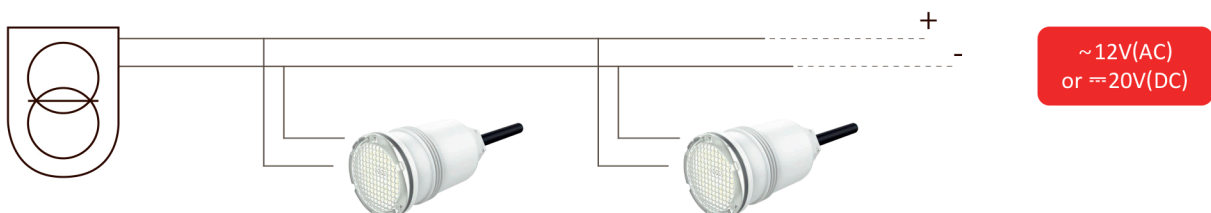


PACKING

Part Number	Box	Weight	Size	Carton	Weight	Size	Pallet	Weight	Size
502778	1U	0,5kg	15x15x15cm	6U	3,8kg	47x32x16cm	540U	352kg	100x120x167cm

CONNECTION

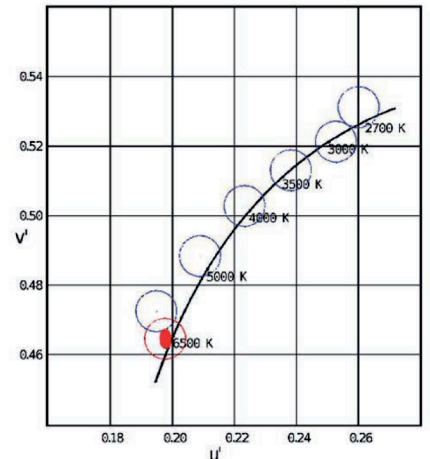
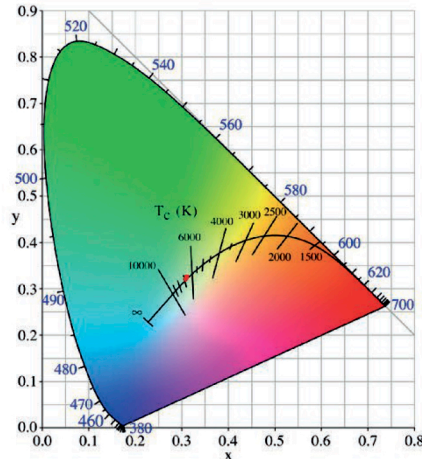
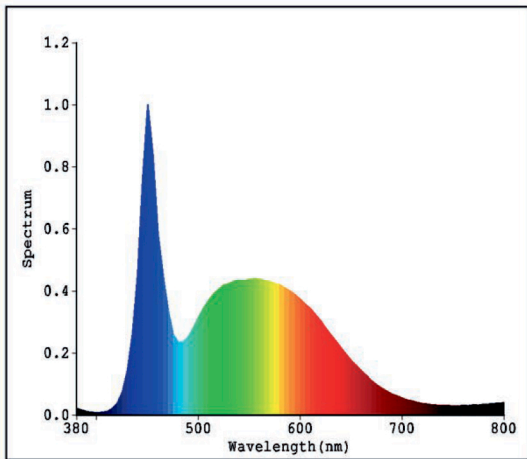
Use a 2 x 1mm² minimum cross section of connecting cable, to adapt according to the distance between the junction box of the projector and the transformer well as the power input.



USE ONLY WITH A SAFETY TRANSFORMER / DO NOT PLUG IN SERIES /
PROTECT THE CONNECTOR WITH INSULATING GEL

PHOTOMETRY

(Measurements performed in laboratory; * measurements made in water immersion)



Color temperature : white 6500K
 Ra (IRC) : 86*
 Diffusion angle : 120°
 Nominal luminous flux : 630 lumens*
 Useful luminous flux (angle 120°) : 600 lumens*

ELECTRICAL PARAMETERS

Instant power : 6W*
 Stabilized power >1h : 6W*
 Power voltage: ~12V(AC) or ~20V(DC), 50/60Hz
 PF max : 0,7 if ~12V(AC)
 PF max : 1 if ~20V(DC)
 Power supply [(Pi /PF)+20%] : 10VA
 Electrical class : III
 EEI : 0,13

Instant Full Light

CLASS III III ~12V(AC) / ~20V(DC)

120°

OTHER PARAMETERS

Protection index : IP68*
 LED life span: > 10 000h
 On/Off cycles : > 100 000
 Use : permanent under water use only

On/Off >100 000

Hg 00mg

IP68 1,0m

USE ONLY IN OUTDOOR POOL LAMP NOT SUITABLE FOR ACCENT LIGHTING

CERTIFICATION

EMC 2014/30/EU Directive.
 EN60598-1 / EN60598-2-18 Norm in all its modifications.

REACH COMPLIANT

RoHS COMPLIANT

CE

Products Certified by TÜVRheinland

GROUPO EN62471 : 2008

ENERGY LABEL

This luminaire includes integrated LED lamps

A++ LED

6,0 kWh/1000h