

LED TUBULAR PROJECTOR FOR SWIMMING POOL – COLOR LIGHTING



Model : **502785**
 Type : 9 power LED 2020 / 120°
 Colour : 3R, 3G, 3B
 Control : On/Off
 Functions : 11 static colours et 5 programs
 Material : Polycarbonate (PC)
 1,5" thread to screw in vacuum fitting
 Wire connection : None
 2 meters H05RNF wire 2x1,0mm² welded on electronic board
 HS code : 9405403990
 Bar code : 3700450502785



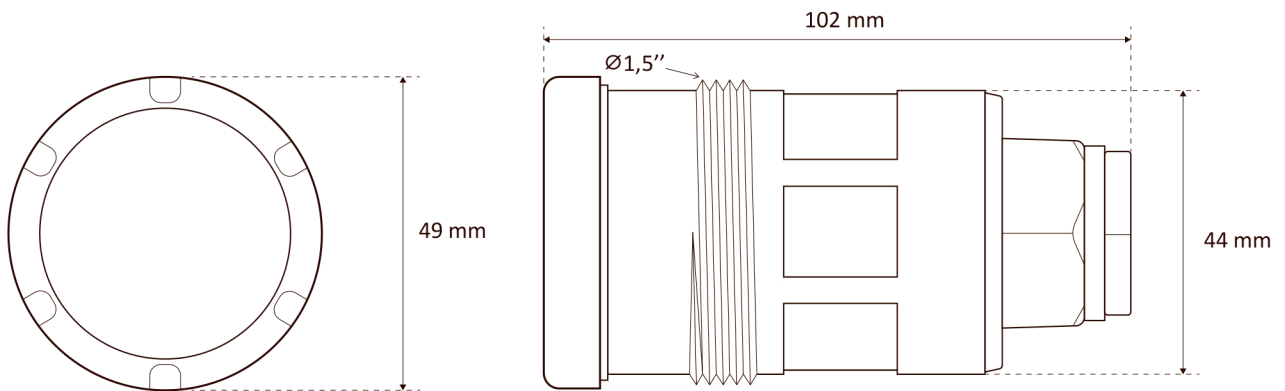
Contents of the packaging:

- LED Tubular projector
- 2 heat shrinkable connectors (#501696)
- 1 H05RNF cable 2x1,0mm² (#502990)
- 1 clamping or loosening tool (#502983)
- Usage and maintenance manual

Option :

- Inground pool installation kit (#501368)
- Above ground pool installation kit (#501009)

DIMENSIONS



PACKING

Part Number	Box	Weight	Size	Carton	Weight	Size	Pallet	Weight	Size
502785	1U	0,5kg	15x15x15cm	6U	3,8kg	47x32x16cm	540U	352kg	100x120x167cm

CONNECTION

Use a 2 x 1mm² minimum cross section of connecting cable, to adapt according to the distance between the junction box of the projector and the transformer well as the power input.

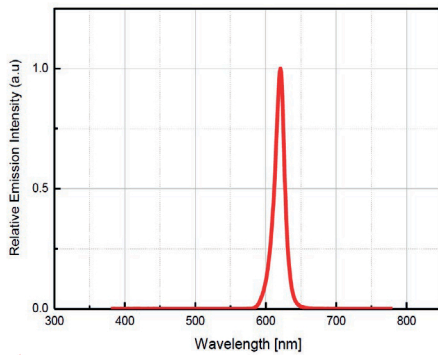


~12V(AC)
ou ~20V(DC)

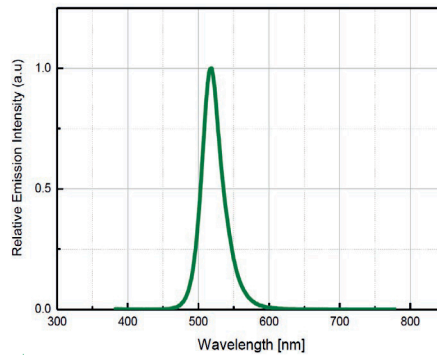
USE ONLY WITH A SAFETY TRANSFORMER / DO NOT PLUG IN SERIES /
 PROTECT THE CONNECTOR WITH INSULATING GEL

PHOTOMETRY

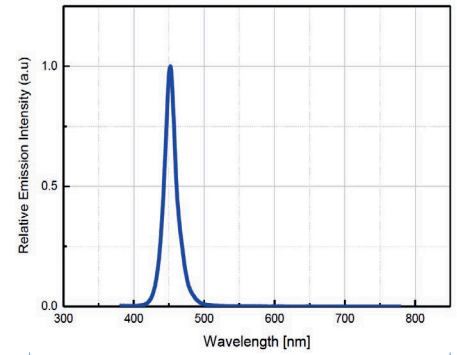
(Measurements performed in laboratory; * measurements made in water immersion)



Wave length : 614/624nm
 Ra (IRC) : N/A
 Diffusion angle : 120°
 Nominal luminous flux : 100 lumens*



Wave length : 520/540nm
 Ra (IRC) : N/A
 Diffusion angle : 120°
 Nominal luminous flux : 250 lumens*

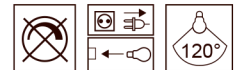


Wave length : 465/485nm
 Ra (IRC) : N/A
 Diffusion angle : 120°
 Nominal luminous flux : 100 lumens*

Maxi luminous flux : 320 lumens

ELECTRICAL PARAMETERS

Max instant power : 8,20W*
 Stabilized power >1h : N/A
 Power voltage : ~12V(AC) 50/60Hz ou ~20V(DC)
 PF max : 0,7 si ~12V(AC)
 PF max : 1 si ~20V(DC)
 Mini power supply ~12V(AC) [(Pi / PF)+20%] : 13VA
 Electrical class : III
 EEI : N/A



CLASS III III ~12V(AC)
 ~20V(DC)

OTHER PARAMETERS

Protection index : IP68*
 LED life span : > 15 000h
 On/Off cycles : > 100 000
 Use : permanent under water use only

On/Off >100 000

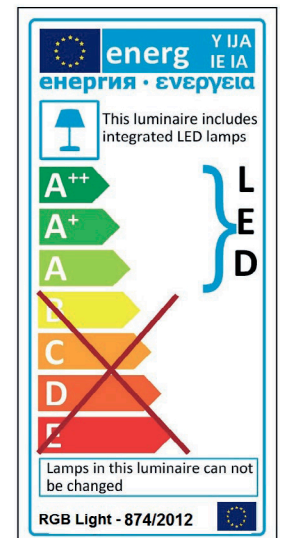
Hg 00mg

IP68 1,0m

USE ONLY IN OUTDOOR POOL LAMP NOT SUITABLE FOR ACCENT LIGHTING

CERTIFICATIONS

EMC 2014/30/EU Directive.
 EN60598-1 / EN60598-2-18 Norm in all its modifications.



«SPECIAL USE LAMP, COLOR CHANGING MODE NOT CONCERNED BY 1194/2012 PERFORMANCE»